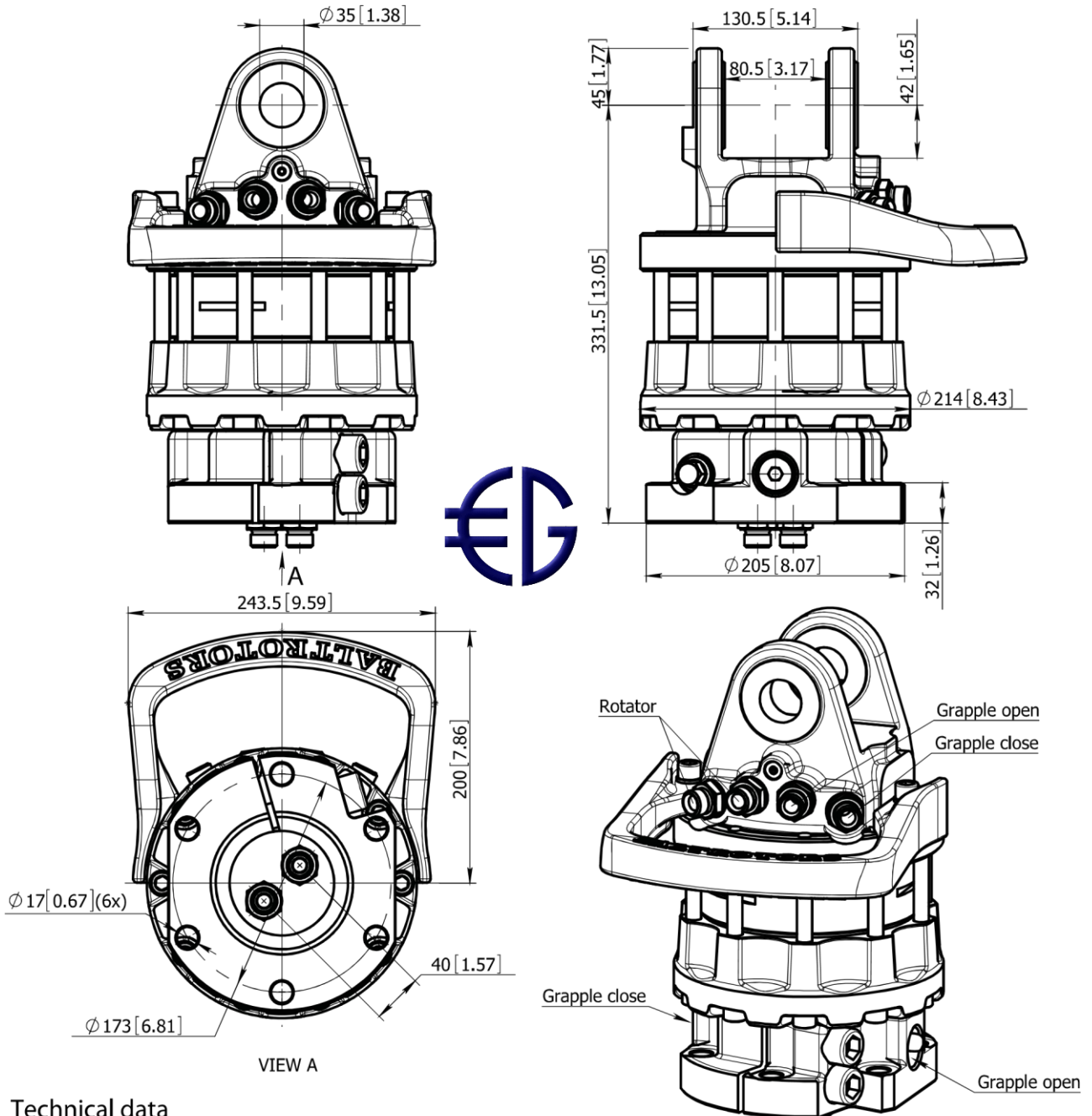


# ROTATOR GR104DB



## Technical data

|                                       |                              |
|---------------------------------------|------------------------------|
| Rotation                              | Unlimited                    |
| Max axial load static, KN (lbf)       | +100 (22485)<br>- 80 (17985) |
| Max axial load dynamic, KN (lbf)      | +50 (11242)<br>- 40 (8992)   |
| Torque at 25Mpa (3625psi), Nm (lb ft) | 2500 (1844)                  |
| Rec oilflow, l/min (US gallon)        | 30 (7.9)                     |
| Weight, kg (lb)                       | 59 (130)                     |
| Max working pressure:                 | Connection:                  |
| Rotator                    ←R→        | Max 25 MPa (3625 psi) G 1/2" |
| Grapple / Tool open   ←G→             | Max 30 MPa (4350 psi) G 1/2" |
| Grapple / Tool close   →G←            | Max 30 MPa (4350 psi) G 1/2" |



Eurograb B.V  
[info@eurograb.nl](mailto:info@eurograb.nl)  
 +31 (0)294208002