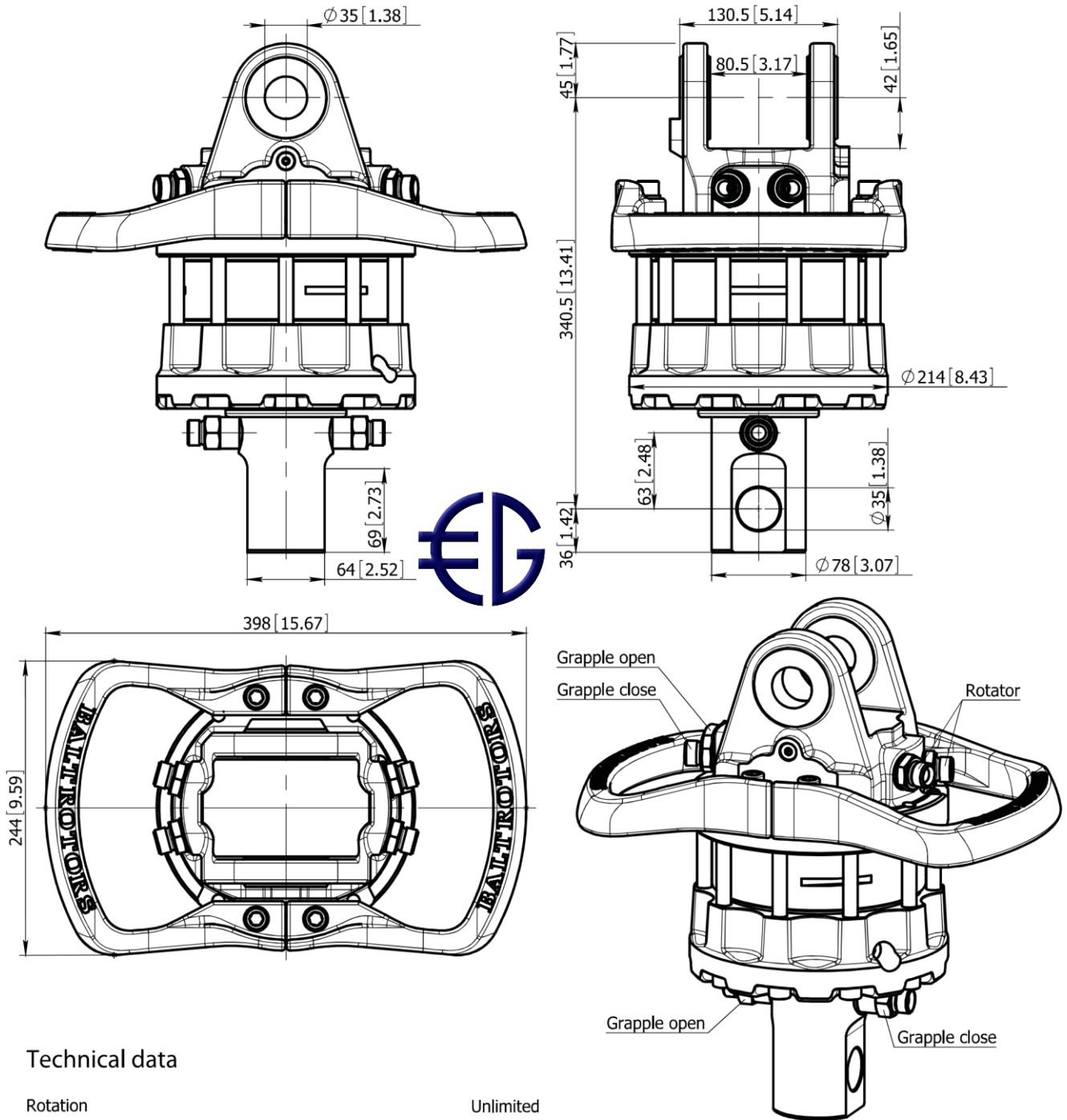


ROTATOR GR110-2DB



Technical data

Rotation	Unlimited
Max axial load static, KN (lbf)	+100 (22485)
	-80 (17985)
Max axial load dynamic, KN (lbf)	+50 (11242)
	-40 (8992)
Torque at 25Mpa (3625psi), Nm (lb ft)	2500 (1844)
Rec oilflow, l/min (US gallon)	30 (7.9)
Weight, kg (lb)	54 (120)

Max working pressure:

Rotator	←R→	Max 25 MPa (3625 psi)
Grapple / Tool open	←G→	Max 30 MPa (4350 psi)
Grapple / Tool close	→G←	Max 30 MPa (4350 psi)

Connection:

G 1/2"



Eurograb B.V
info@eurograb.nl
 +31 (0)294208002