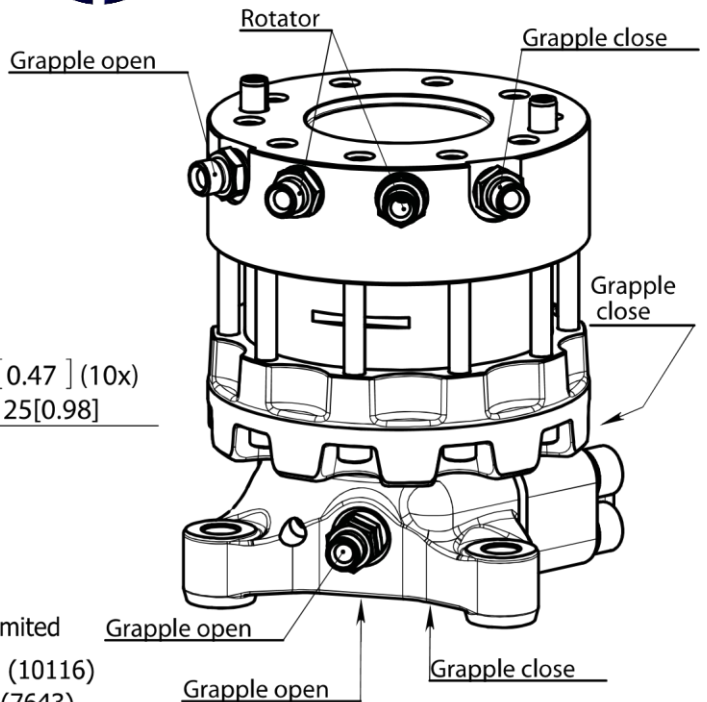
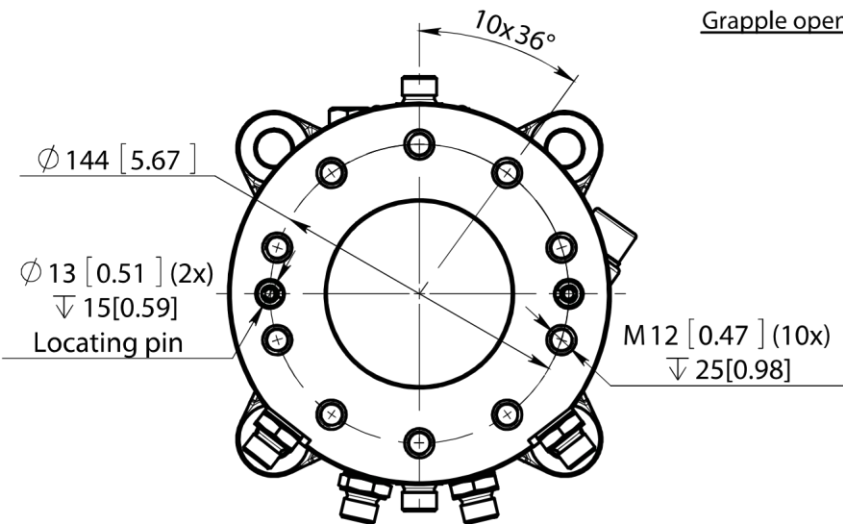
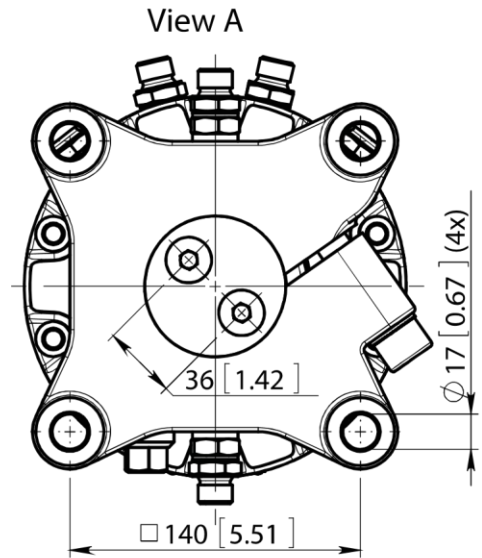
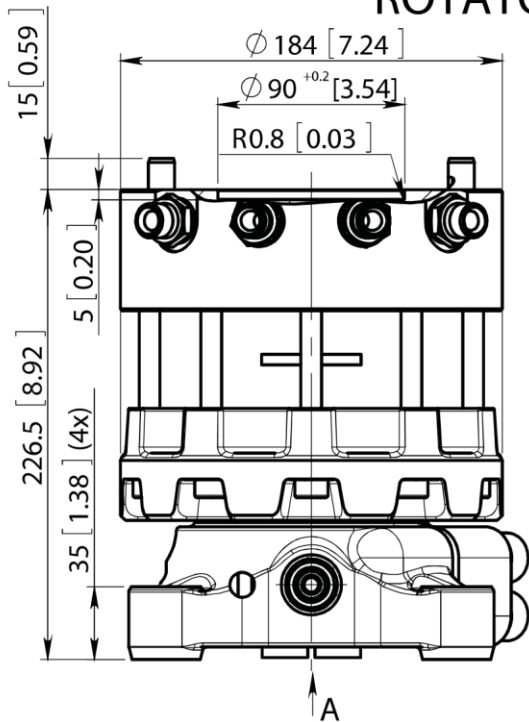


ROTATOR GR55FF



Technical data

Rotation	Unlimited
Max axial load static, KN (lbf)	+45 (10116) -34 (7643)
Max axial load dynamic, KN (lbf)	+25 (5620) -17 (3821)
Torque at 25Mpa (3625psi), Nm (lb ft)	1300 (959)
Rec oilflow, l/min (US gallon)	22 (5.8)
Weight, kg (lb)	35 (78)
Max working pressure:	Connection:
Rotator ←R→	Max 25 MPa (3625 psi) G 3/8"
Grapple / Tool open ←G→	Max 20 MPa (2900 psi) G 3/8"
Grapple / Tool close →G←	Max 30 MPa (4350 psi) G 3/8"



Eurograb B.V
info@eurograb.nl
 +31 (0)294208002