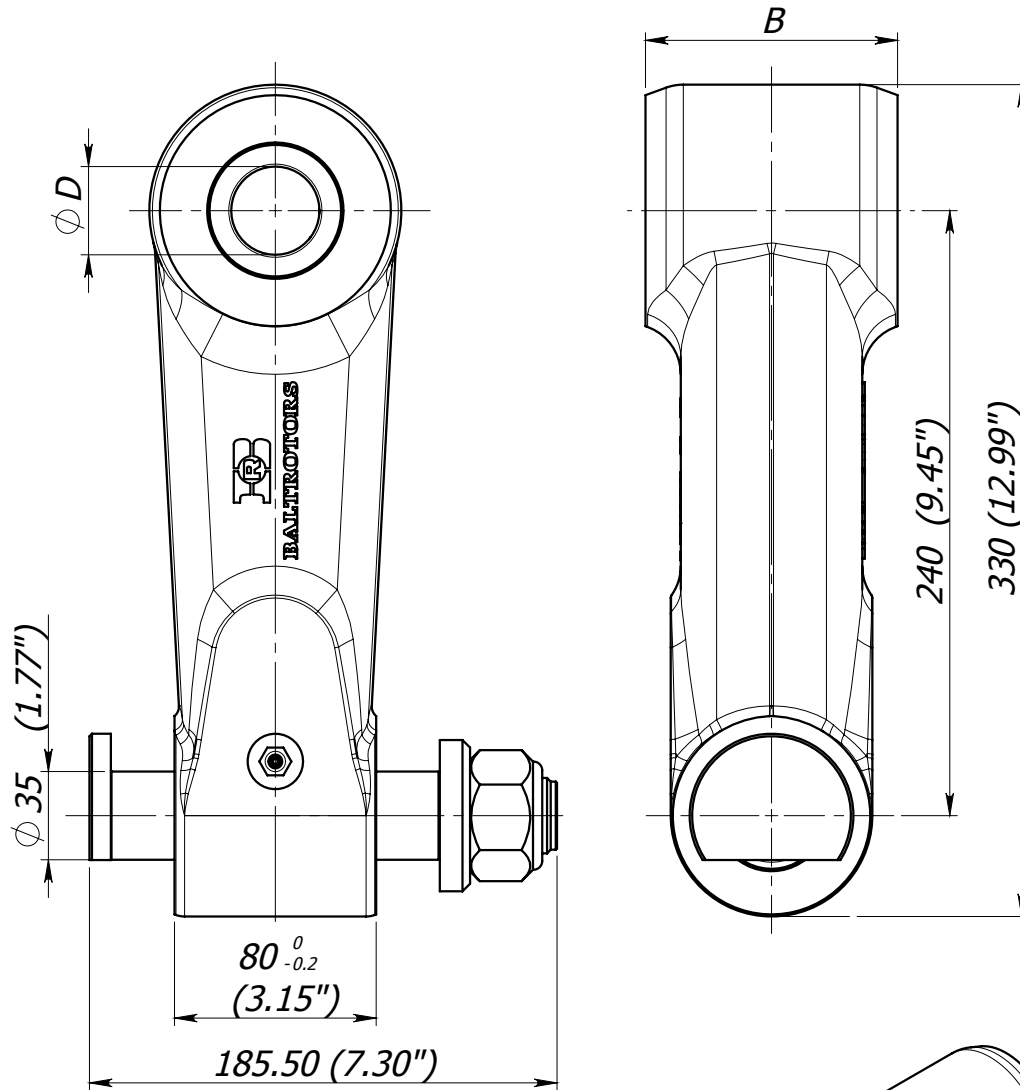
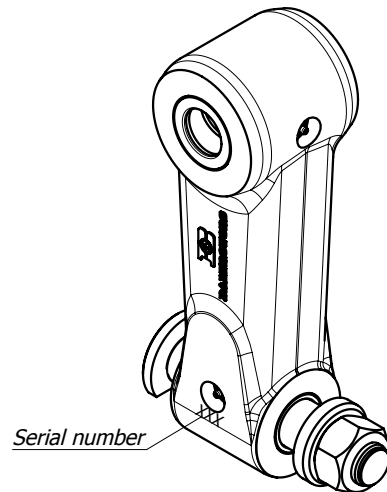


LINK BR 2



| Dimensions | | |
|---|-------------------|-------------------------|
| Crane nose pivot pin diameter ϕD (mm) | Link width B (mm) | |
| | | $80^{0}_{-0.2}$ (3.15") |
| 45 (1.77") | BR 2/45 | BR 2-100/45 |
| 40 (1.57") | BR 2/40 | BR 2-100/40 |
| 35 (1.38") | BR 2/35 | BR 2-100/35 |
| 30 (1.18") | BR 2/30 | - |



* Pin locking nut is tightened with a torque of 120 Nm (89 lb ft)

* Weight - 16.5 ± 1 kg (36.37 ± 2.20 lb)

* Fill grease Starplex EP 2, through lubricating nipple (pos. 7), until it will appear to the external surfaces. Greasing must be repeated after every 8 working hours of the link.

