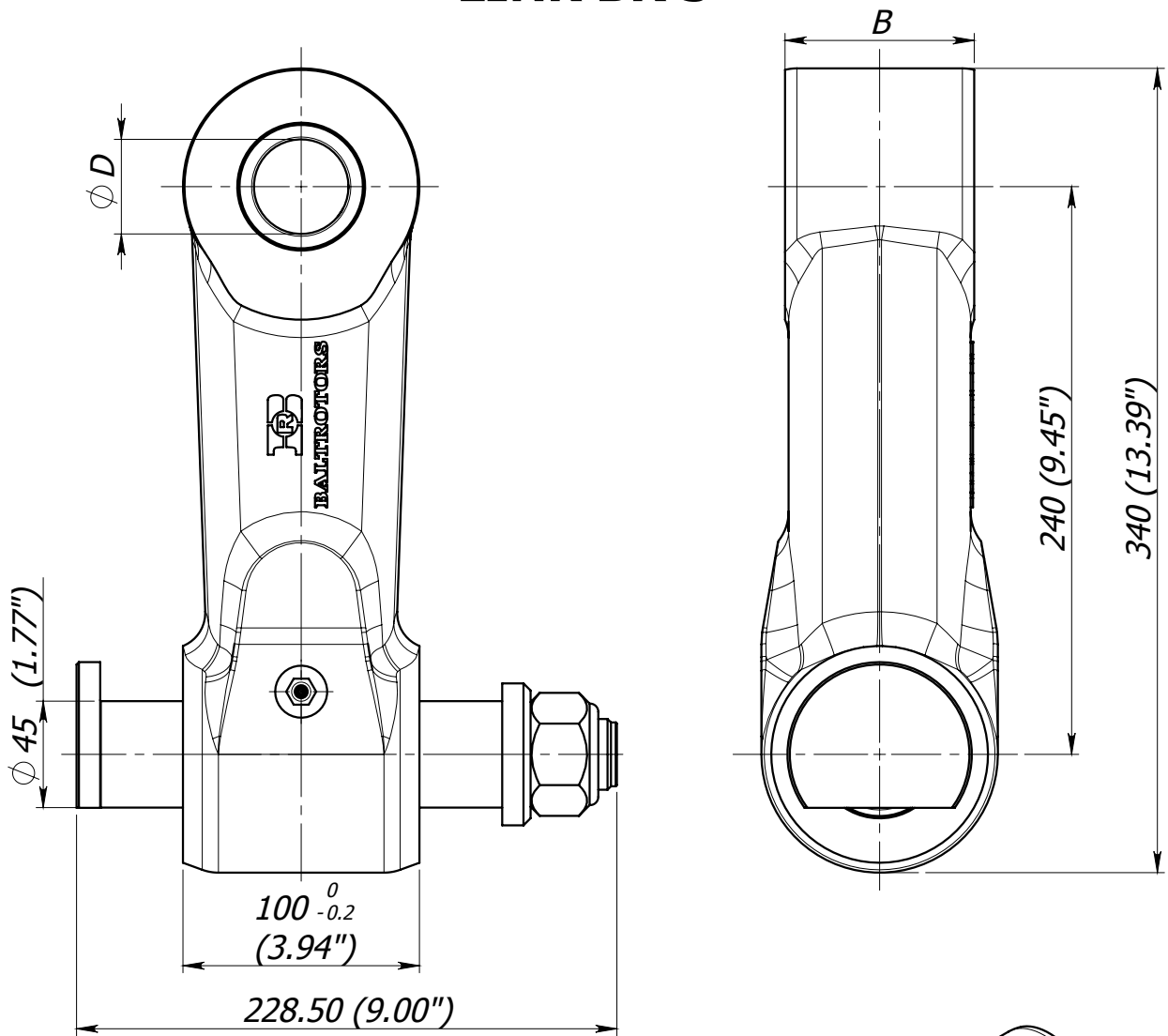
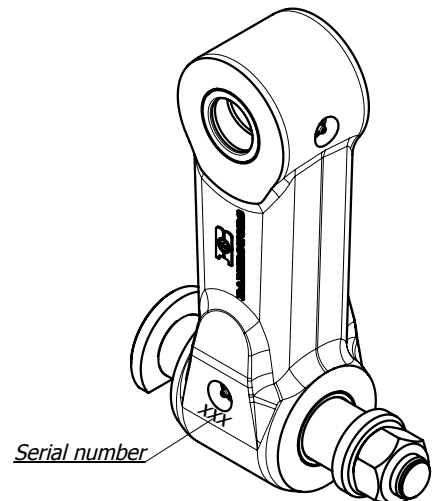


LINK BR 3



Dimensions		
Crane nose pivot pin diameter ϕD (mm)	Link width B (mm)	
		$80^{0}_{-0.2}$ (3.15")
50 (1.97")	BR 3-80/50	BR 3/50
45 (1.77")	BR 3-80/45	BR 3/45
40 (1.57")	BR 3-80/40	BR 3/40
35 (1.38")	BR 3-80/35	BR 3/35
30 (1.18")	BR 3-80/30	-



- * Pin locking nut is tightened with a torque of 120 Nm (89 lb ft)
- * Weight - 20.5 ± 1 kg (44.09 ± 2.20 lb)
- * Fill grease Starplex EP 2, through lubricating nipple (pos. 7), until it will appear to the external surfaces. Greasing must be repeated after every 8 working hours of the link.



Eurograb Rotators
Kobaltstraat 21, 1411 AM Naarden
Tel: 0031 (0) 6 53 536 381 - 0031 (0) 6 11 320 757
www.eurograb.nl info@eurograb.nl