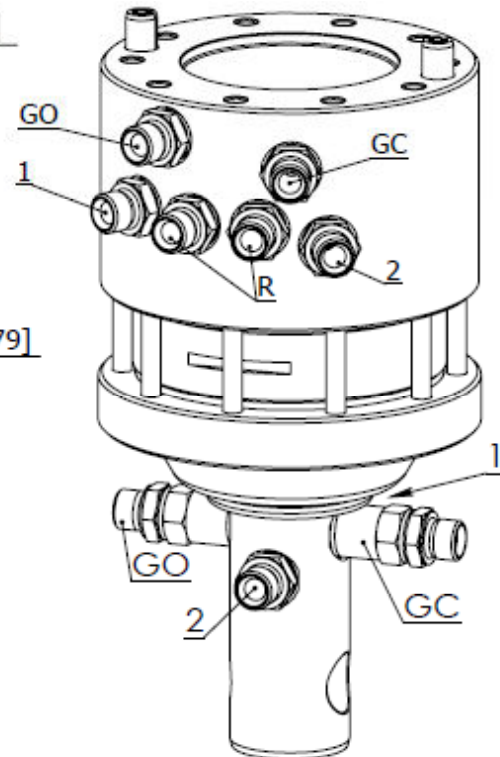
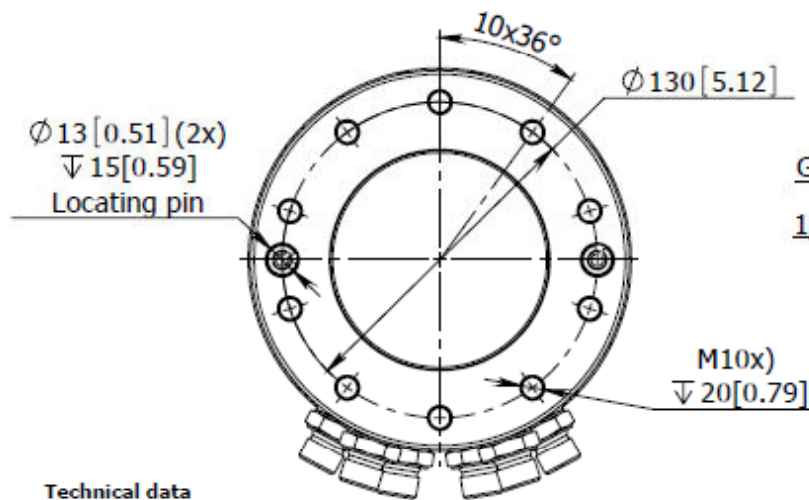
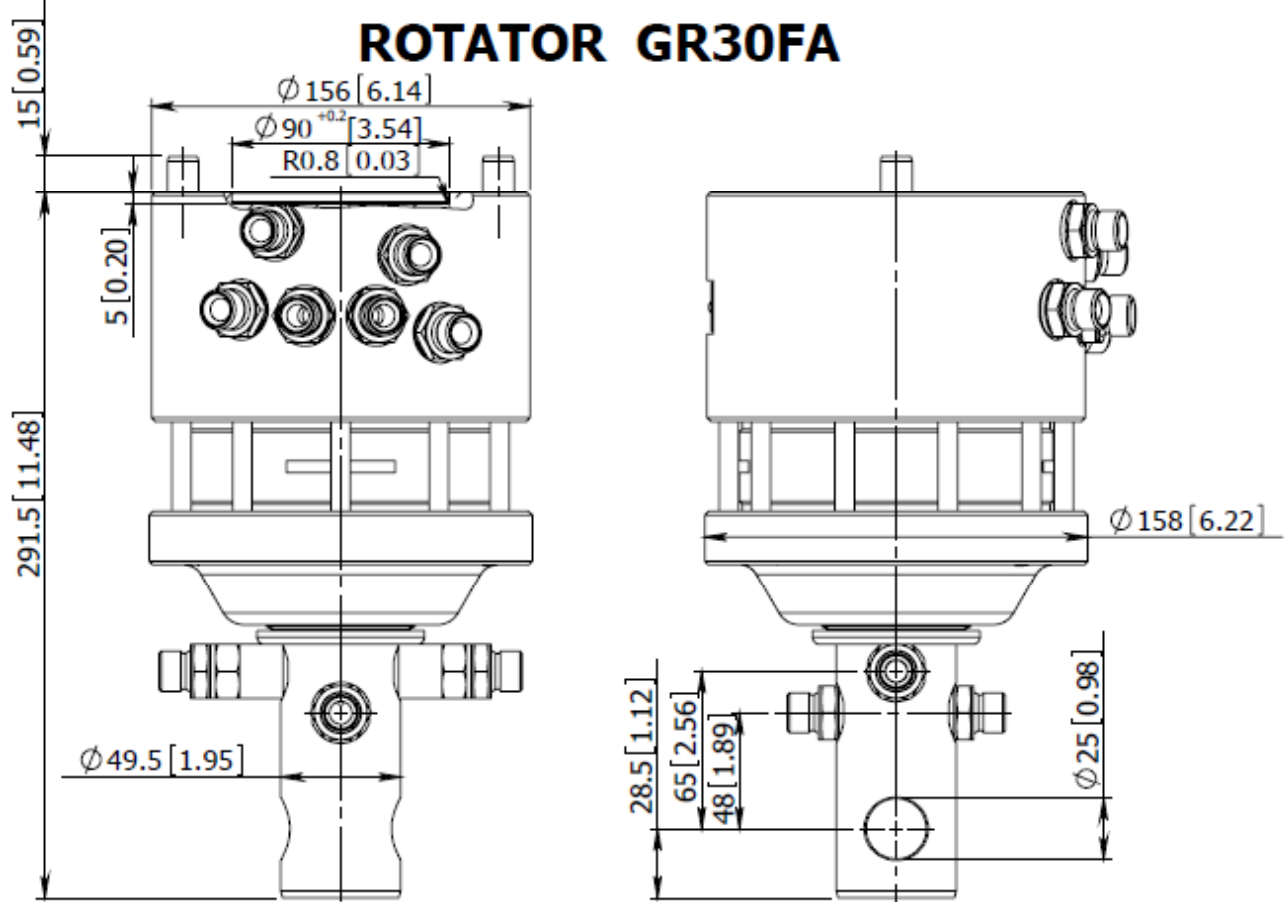


ROTATOR GR30FA



Technical data

| | | |
|---------------------------------------|---|--------|
| Rotation | Unlimited | |
| Max axial load static, KN (lbf) | 30 (6745) | |
| Max axial load dynamic, KN (lbf) | 15 (3372) | |
| Torque at 25Mpa (3625psi), Nm (lb ft) | 800 (590) | |
| Rec oilflow, l/min (US gallon) | 20 (5.3) | |
| Weight, kg (lb) | 22 (48.5) | |
| Max working pressure: | Connection: | |
| Rotator | $\leftarrow R \rightarrow$ Max 25 MPa (3625 psi) | G 3/8" |
| Grapple / Tool open | $\leftarrow G \rightarrow$ Max 20 MPa (2900 psi) | G 3/8" |
| Grapple / Tool close | $\rightarrow G \leftarrow$ Max 30 MPa (4350 psi) | G 3/8" |
| Extra oil function | $\boxed{1} \quad \boxed{2}$ Max 30 MPa (4350 psi) | G 3/8" |

