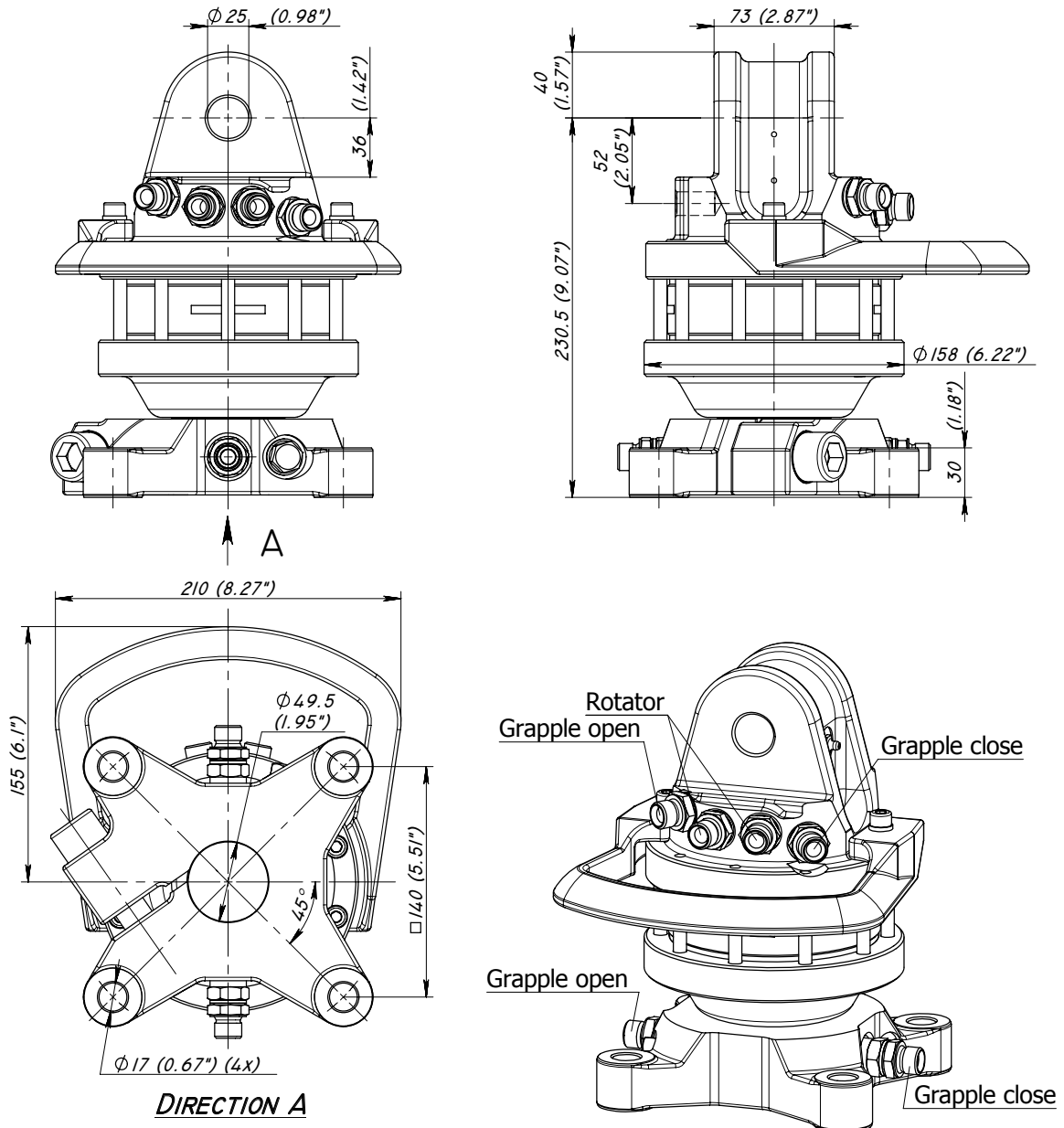


ROTATOR GR 30 PF



Technical data

| | |
|---------------------------------------|-----------|
| Rotation | Unlimited |
| Max axial load static, KN (lbf) | 30 (6745) |
| Max axial load dynamic, KN (lbf) | 15 (3372) |
| Torque at 25Mpa (3625psi), Nm (lb ft) | 900 (644) |
| Rec oilflow, l/min (US gallon) | 20 (5.3) |
| Weight, kg (lb) | 24 (53) |

Max working pressure:

| | | |
|----------------------|-----|-----------------------|
| Rotator | ↔R↔ | Max 25 MPa (3625 psi) |
| Grapple / Tool open | ↔G↔ | Max 20 MPa (2900 psi) |
| Grapple / Tool close | →G← | Max 30 MPa (4350 psi) |

Connection:

| |
|--------|
| G 3/8" |
| G 3/8" |
| G 3/8" |

2007.12.03.



Eurograb Rotators
Kobaltstraat 21, 1411 AM Naarden
Tel: 0031 (0) 6 53 536 381 - 0031 (0) 6 11 320 757
www.eurograb.nl info@eurograb.nl