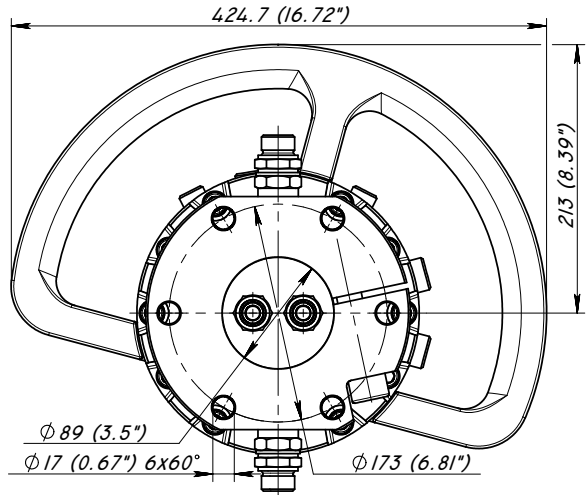
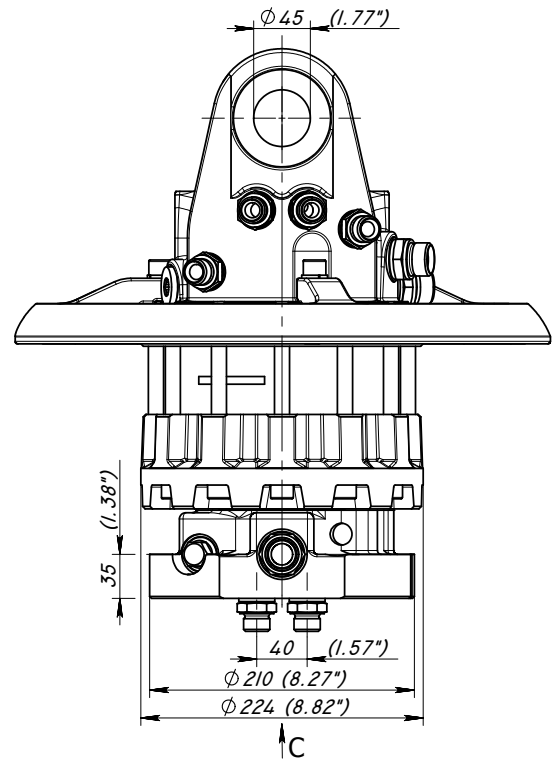
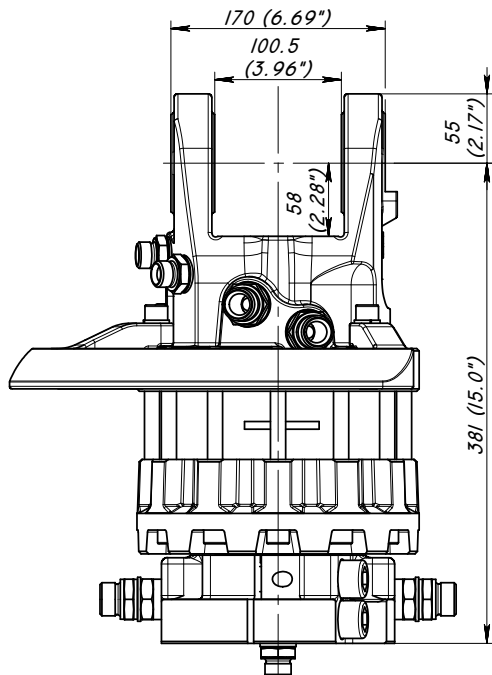
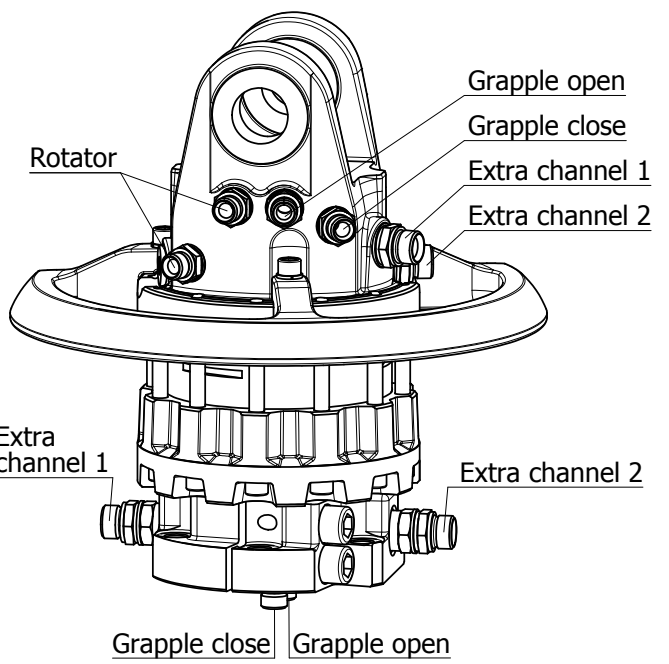


ROTATOR GRS 12 S

Specially designed for grapple saw



DIRECTION C



Technical data

Rotation	Unlimited
Max axial load static, KN (lbf)	+120 (26982) -90 (20236)
Max axial load dynamic, KN (lbf)	+60 (13491) -45 (10118)
Torque at 25Mpa (3625psi), Nm (lb ft)	2900 (2139)
Rec oilflow, l/min (US gallon)	35 (9.25)
Weight, kg (lb)	77 (171)

Max working pressure:

Rotator	←R→	Max 25 MPa (3625 psi)	G 1/2"
Grapple / Tool open	←G→	Max 20 MPa (2900 psi)	G 1/2"
Grapple / Tool close	→G←	Max 30 MPa (4350 psi)	G 1/2"
Extra oil function	1 2	Max 30 MPa (4350 psi)	G 3/4"

Connection:

2007.12.12.



Eurograb Rotators
Kobaltstraat 21, 1411 AM Naarden
Tel: 0031 (0) 6 53 536 381 - 0031 (0) 6 11 320 757
www.eurograb.nl info@eurograb.nl