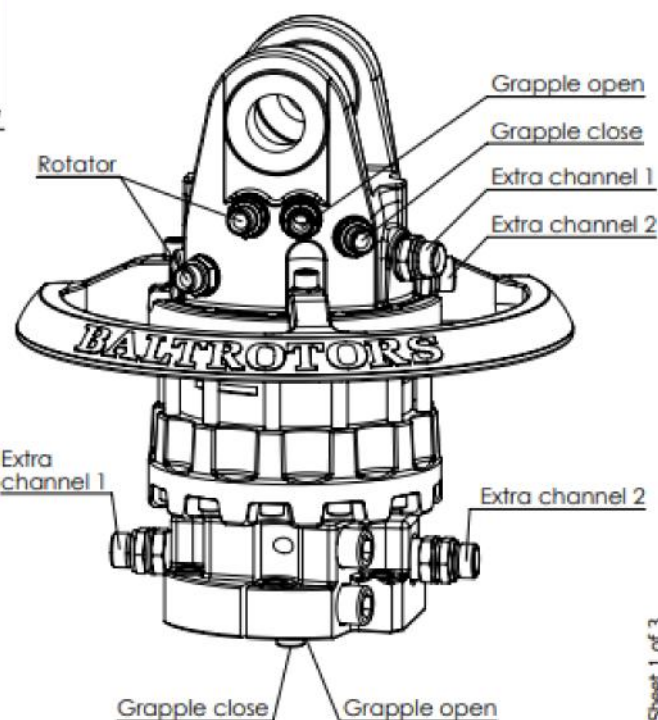
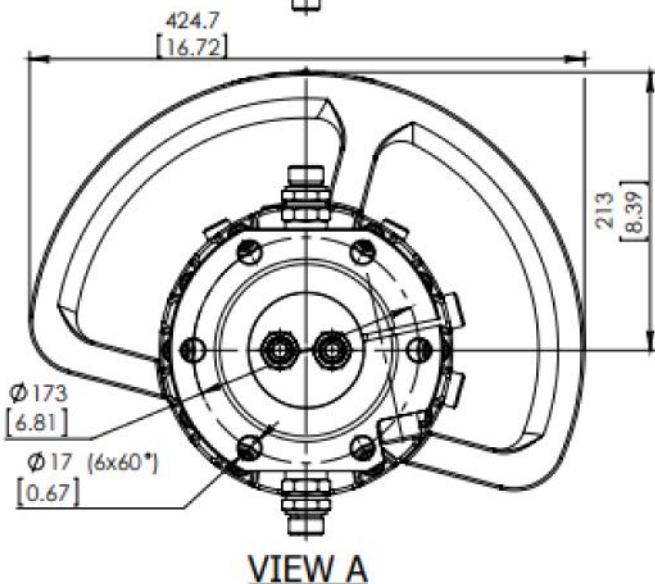
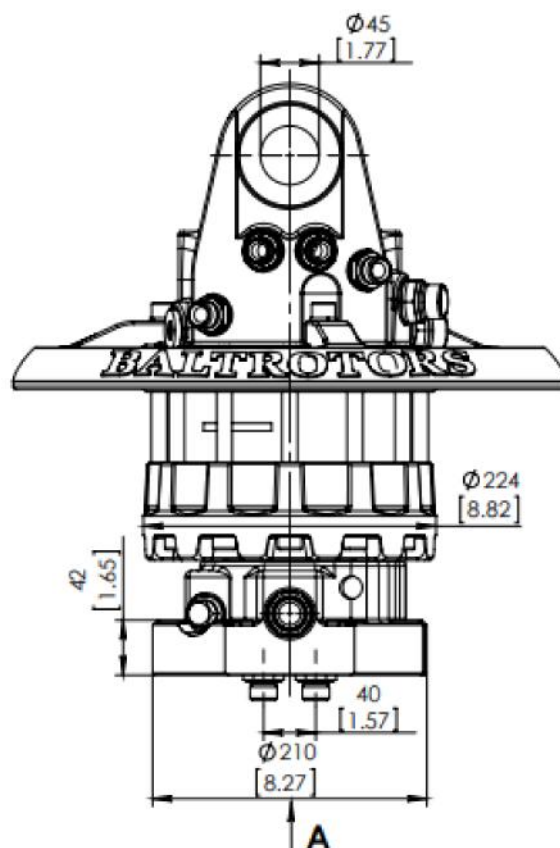
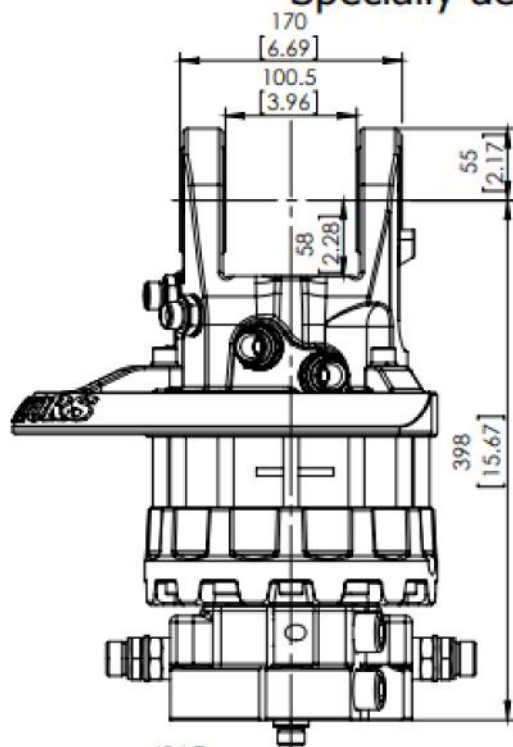


ROTATOR GRS16S

Specially designed for grapple saw



Technical data

Rotation	Unlimited
Max axial load static, KN (lbf)	+160 (35976) -90 (20236)
Max axial load dynamic, KN (lbf)	+80 (17988) -45 (10118)
Torque at 25Mpa (3625psi), Nm (lb ft)	3400 (2500)
Rec oilflow, l/min (US gallon)	40 (10.6)
Weight, kg (lb)	79 (175)

Max working pressure:

Rotator	$\leftarrow R \rightarrow$	Max 25 MPa (3625 psi)	G 1/2
Grapple / Tool open	$\leftarrow G \rightarrow$	Max 20 MPa (2900 psi)	G 1/2
Grapple / Tool close	$\rightarrow G \leftarrow$	Max 30 MPa (4350 psi)	G 1/2
Extra oil function	$\boxed{1} \boxed{2}$	Max 30 MPa (4350 psi)	G 3/4

Connection:

