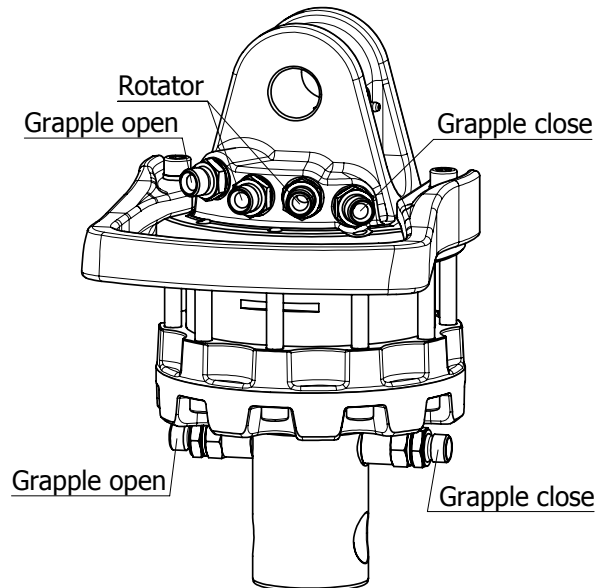
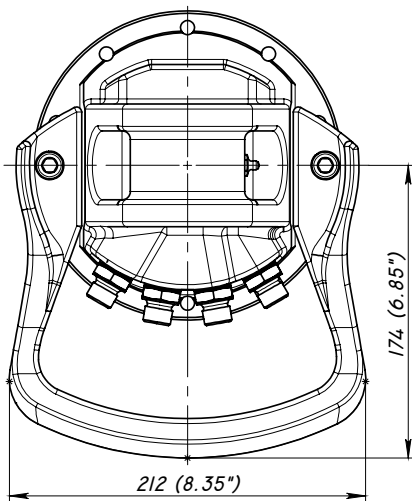
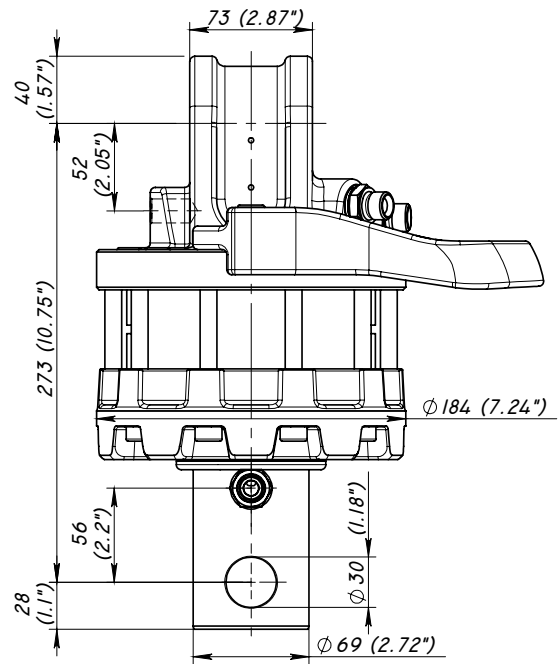
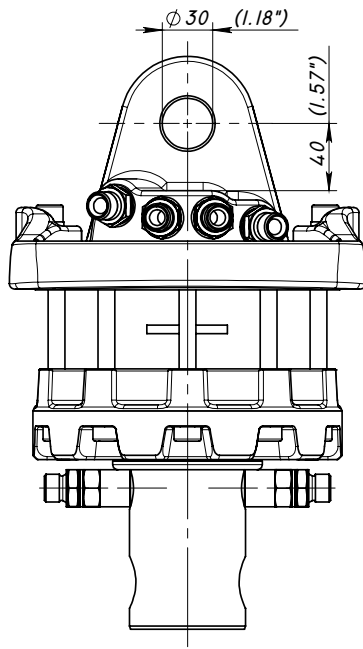


ROTATOR GR 55 M



Technical data

| | |
|---------------------------------------|-------------|
| Rotation | Unlimited |
| Max axial load static, KN (lbf) | 55 (12367) |
| Max axial load dynamic, KN (lbf) | 25 (5621) |
| Torque at 25MPa (3625psi), Nm (lb ft) | 1400 (1033) |
| Rec oilflow, l/min (US gallon) | 22 (5.8) |
| Weight, kg (lb) | 29 (64) |

Max working pressure:

| | | |
|----------------------|------------|-----------------------|
| Rotator | ←R→ | Max 25 MPa (3625 psi) |
| Grapple / Tool open | ←G→ | Max 20 MPa (2900 psi) |
| Grapple / Tool close | →G← | Max 30 MPa (4350 psi) |

Connection:

| |
|--------|
| G 3/8" |
| G 3/8" |
| G 3/8" |

